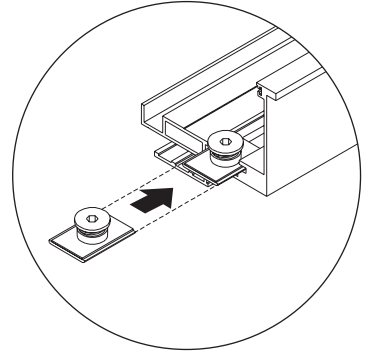
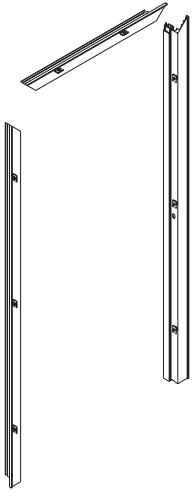
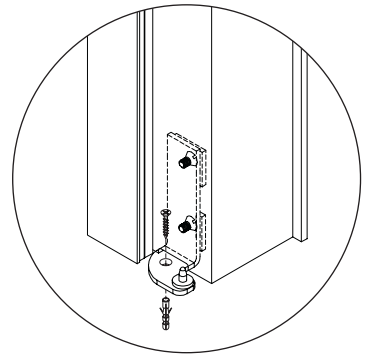
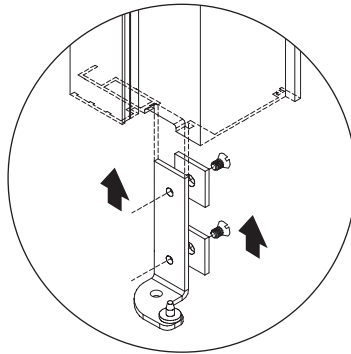
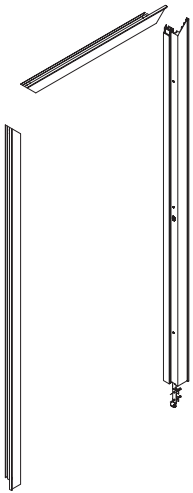


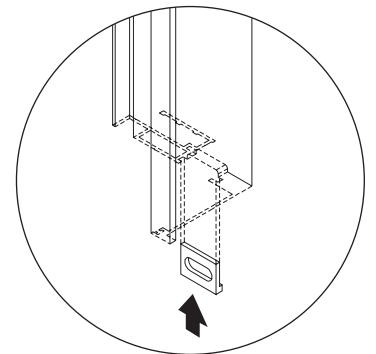
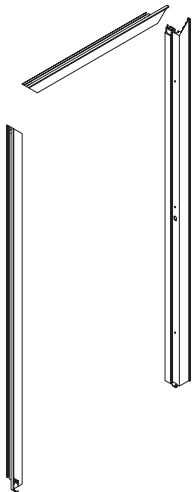
1.1



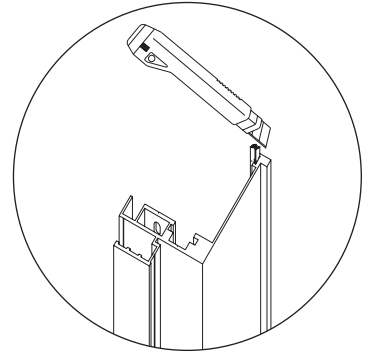
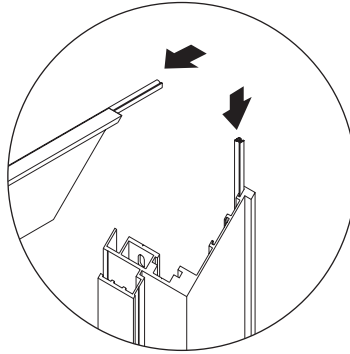
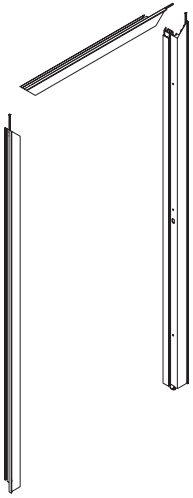
1.2



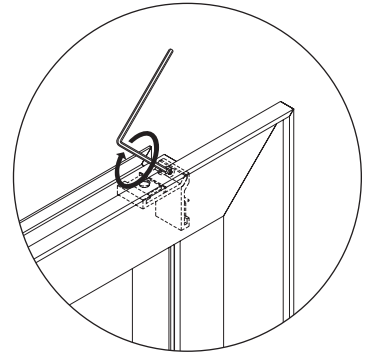
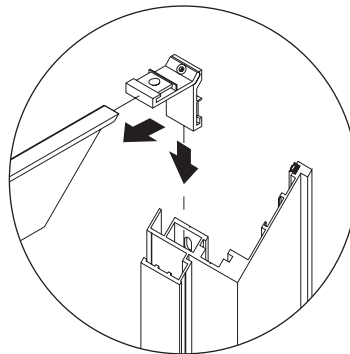
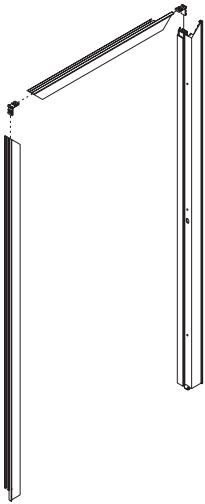
1.3



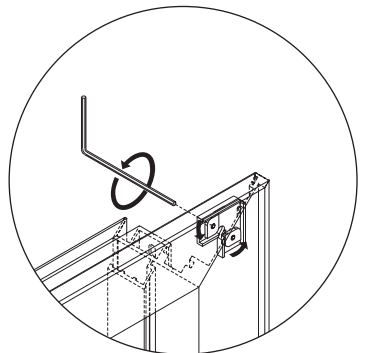
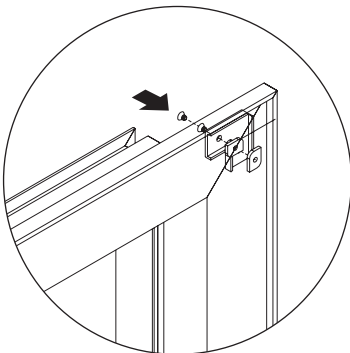
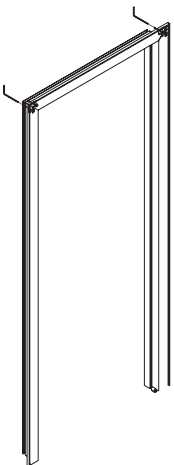
2.1



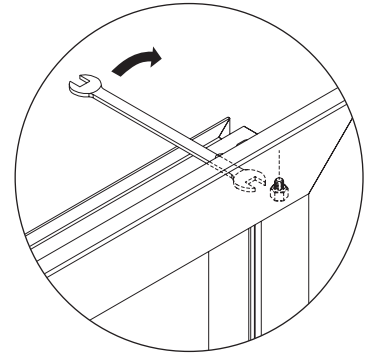
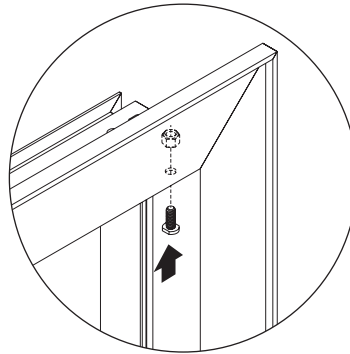
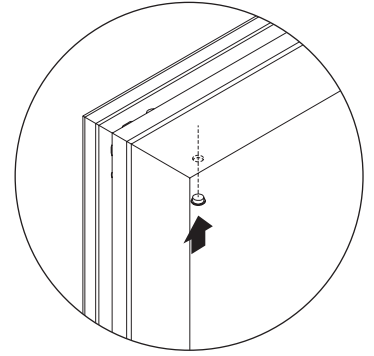
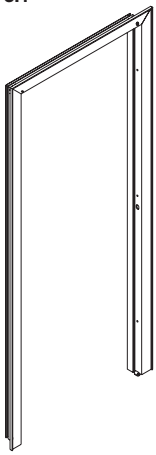
2.2



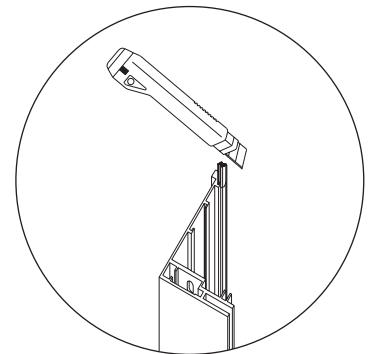
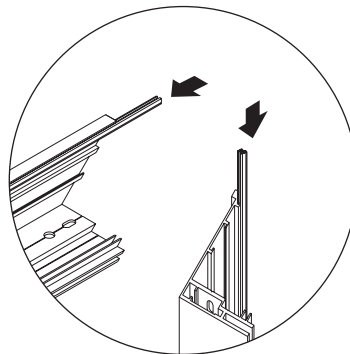
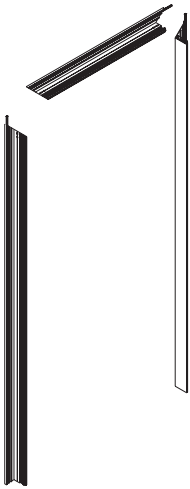
2.3



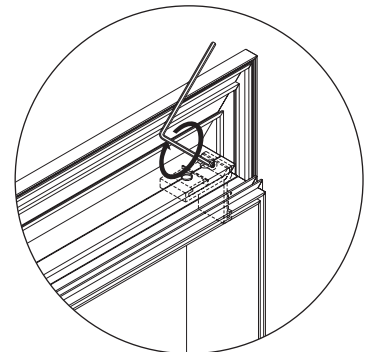
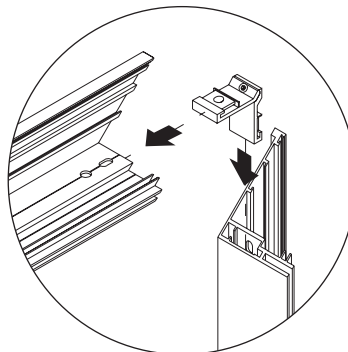
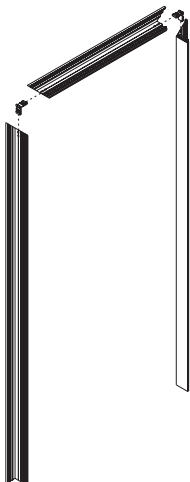
3.1



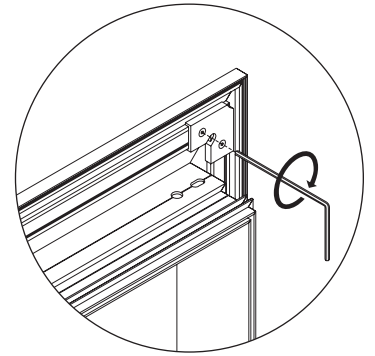
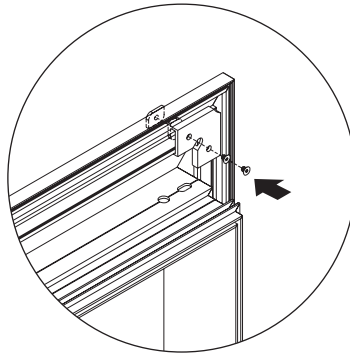
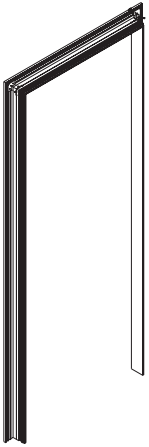
3.2



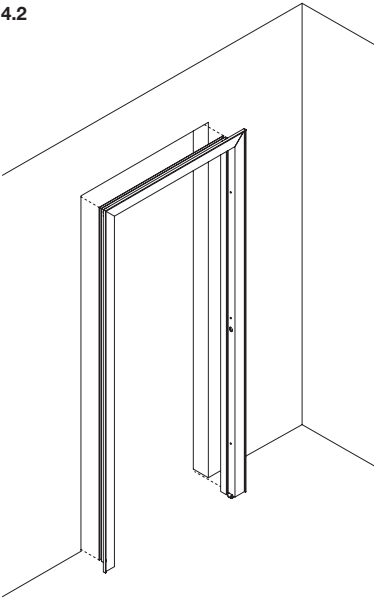
3.3



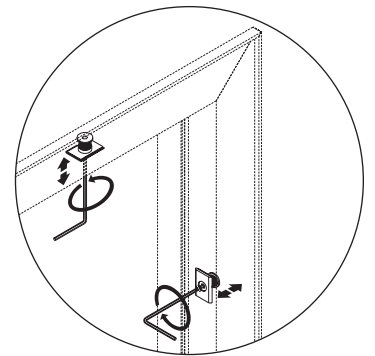
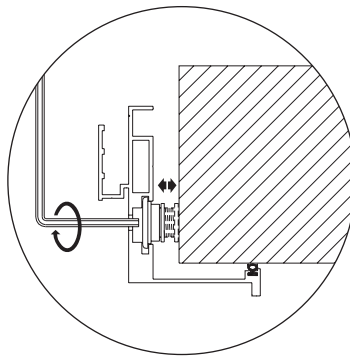
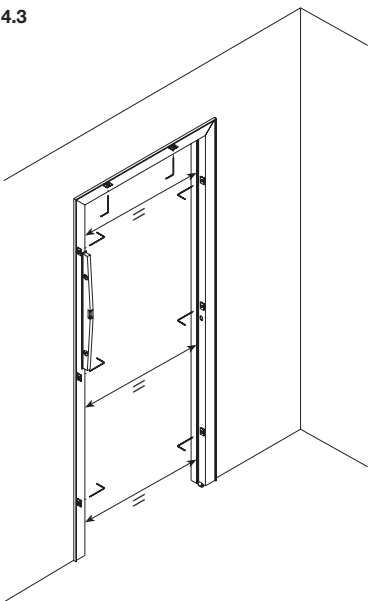
4.1



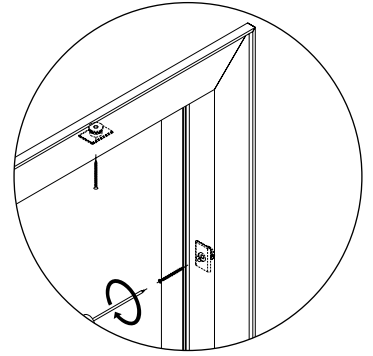
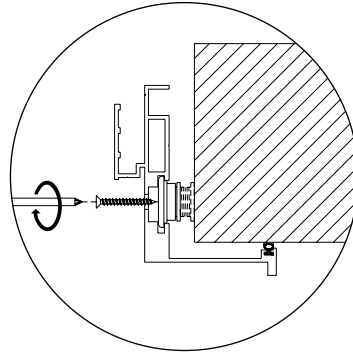
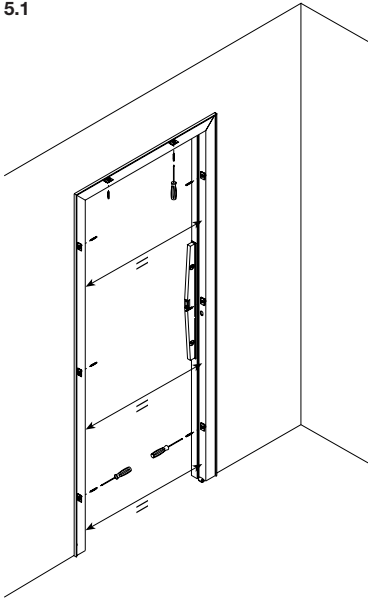
4.2



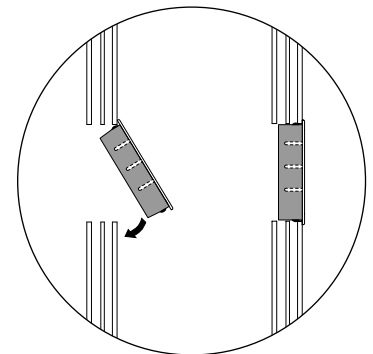
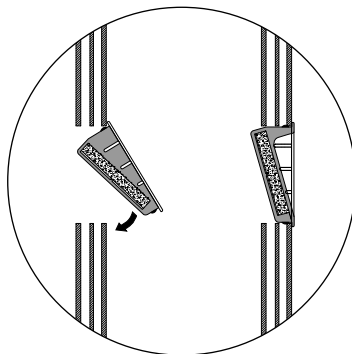
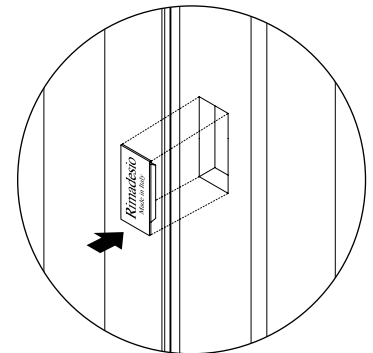
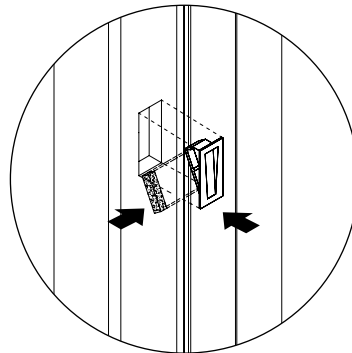
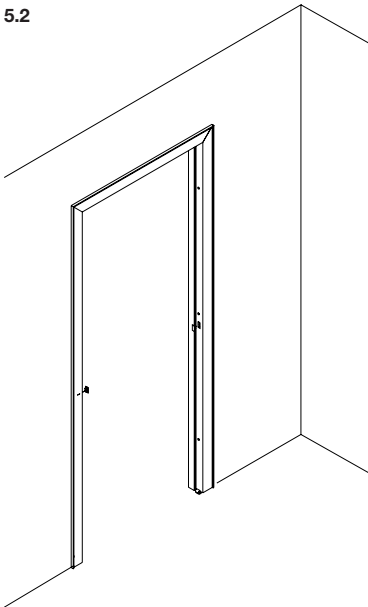
4.3



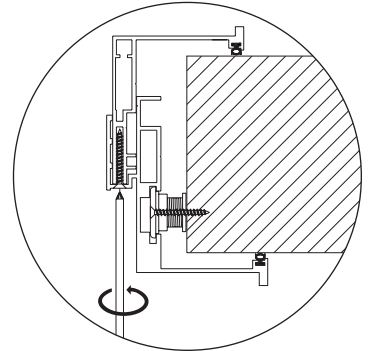
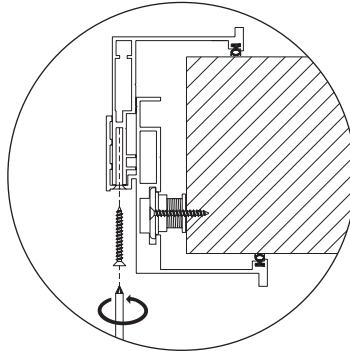
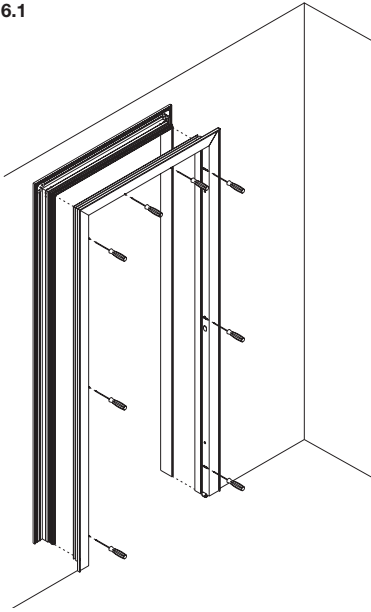
5.1



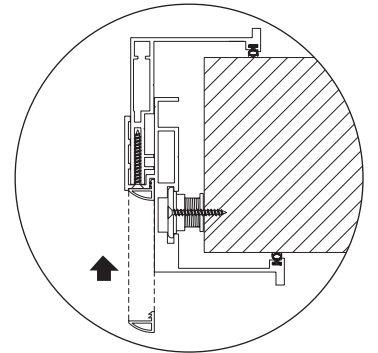
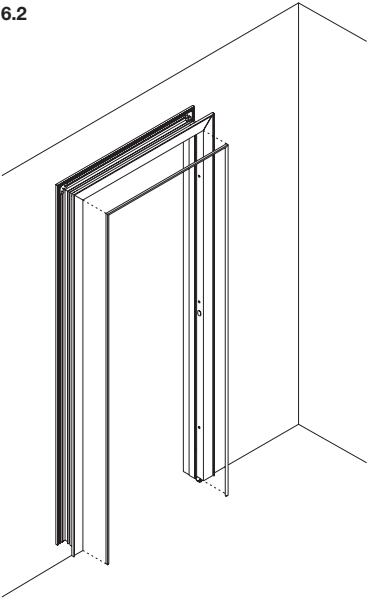
5.2



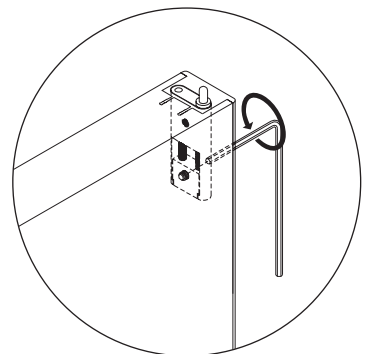
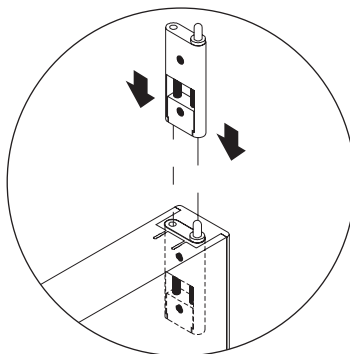
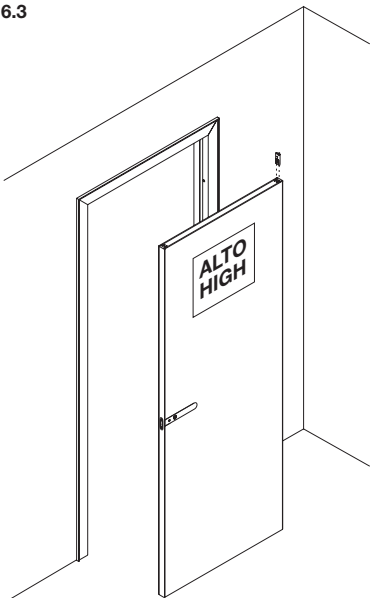
6.1



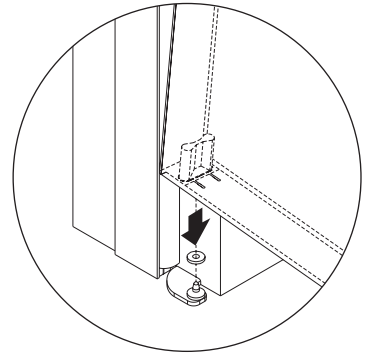
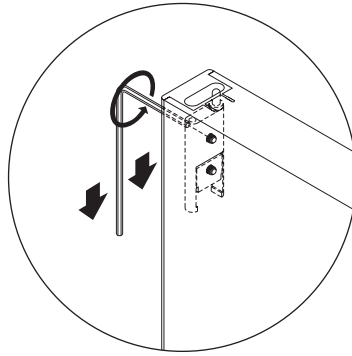
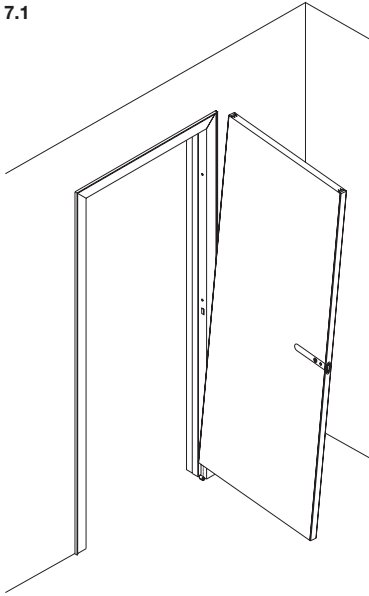
6.2



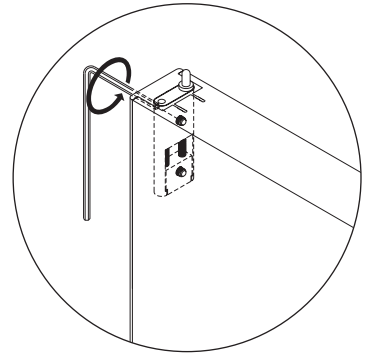
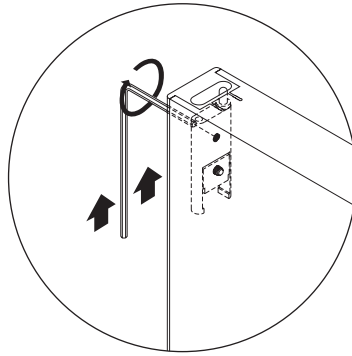
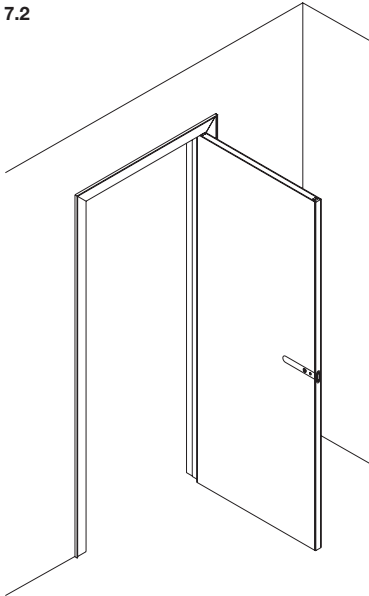
6.3



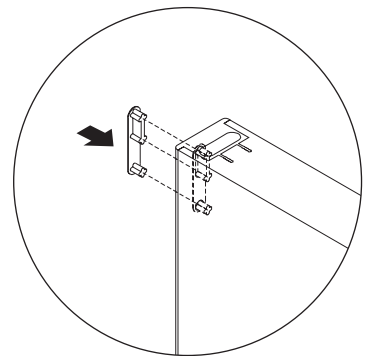
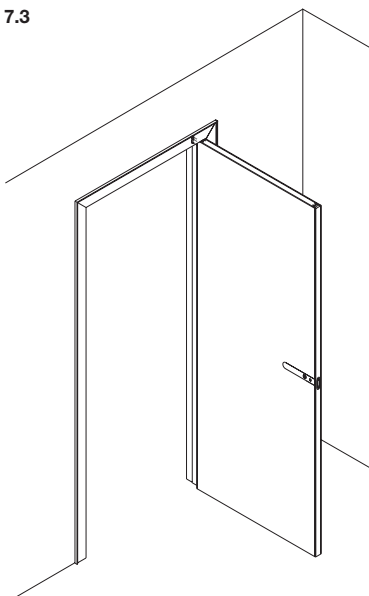
7.1



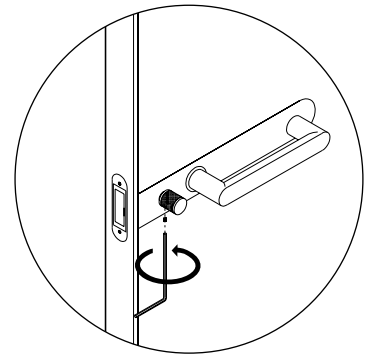
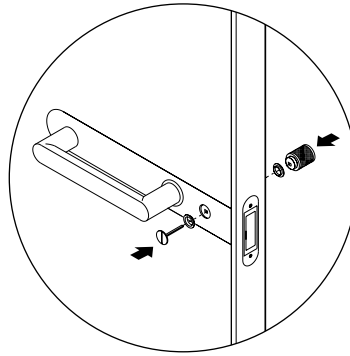
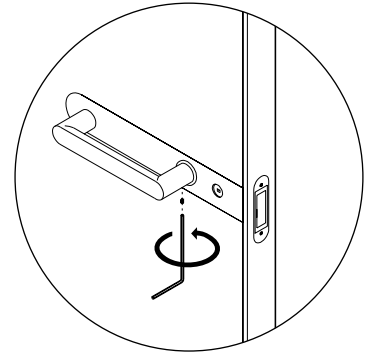
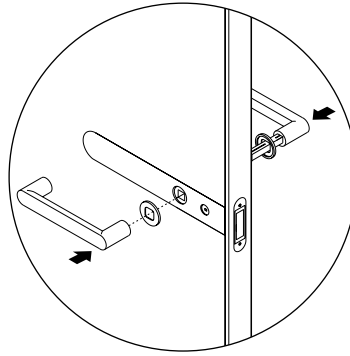
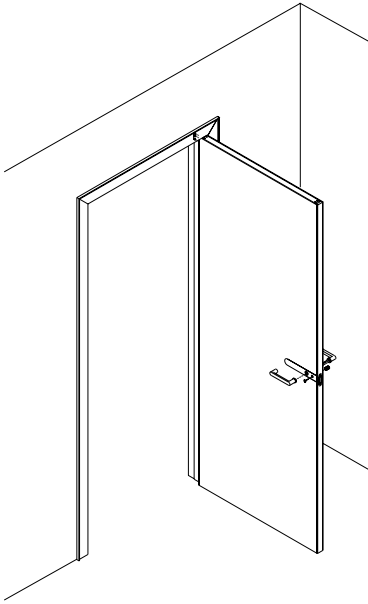
7.2



7.3



8.1
Maniglia TR03
Handle TR03



8.2
Maniglia TR0102
Handle TR0102

